

Electric actuator

- KE-P series
- KE-G series

► Model range / Selection Guide

VALVE SIZE		BALL VALVE (2WAY/10K/#150)		BUTTERFLY VALVE (10K/#150)	
1/2"	15A	KE-G series	KE002		
3/4"	20A		KE004		
1"	25A		KE005		
1-1/4"	32A		KE006		
1-1/2"	40A		KE008		
2"	50A	KE-P series	KE010	KE-G series	KE004
2-1/2"	65A		KE016		KE005
3"	80A		KE028		KE006
4"	100A		KE040	KE008	
5"	125A		KE050	KE-P series	KE010
6"	150A				KE016
8"	200A				KE028
10"	250A				KE040
12"	300A			KE050	

The above data is for reference only; the actual assembly may be different depending on valve material, pressure, structure, fluid and operational environment.

► Model code

Q50-50-2AK3C11-OP

(a) (b) (c) (d) (e) (f) (g) (h)

(a)	(d)	(e)	(f)	(h)
Mechanism	Voltage	Color	ISO5211	OPTION
Q: Quarter turn	1A: 110V AC	K: Black	3: F03	WT: Watertight (IP68)
L: Linear	2A: 220V AC	L: Blue	5: F05	TS: Electric Torque switches
(b)	3A: 380V AC (KE016~KE050)	W: White	⋮	PU: Potentiometer unit
Model No.	4A: 440V AC (KE016~KE050)	R: Red	(g)	CT: Current transmitter
2: 002	2D: 24V DC (KE002~KE040)	G: Grey	STEM	MC: Modulating control
4: 004	1M: 100-240V AC (KE005)	M: Mint	C11: 11*11	(M42/M01/M21/M05/M15)
⋮	2M: 24V AC/DC (KE005)		C14: 14*14	MCT: MC with Torque switches
(c)			⋮	LC1: Local Control unit (1P)
Torque				LC3: Local Control unit (3P)
No.: No.*10Nm				CB2: 24V DC Control board (2Wire)
				CB3: 24V DC Control board (3Wire)

KOSAPLUS

KOSAPLUS Co., Ltd.
 294, Gongdan2daero, Siheung, Gyeonggi, 15115, S.Korea (<http://www.kosaplus.com>)
 • E-mail: oversea@kosaplus.com • Tel: +82-31-433-3159 / Fax: +82-31-433-3151
 Catalog Version : 4.0AR (Oct. 2016)

- Data contained in the Catalog may be subject to change without advance notice for improvement of performance & safety of Product.
 - Contact us for the most recent product and technical information. Visit our website for more details: <http://www.kosaplus.com>

Plastic intermediate cap

There will be no rubbing off even when used for a long period or exposure to sunlight by the use of plastic cap, a non-printing method.

Terminal Box

Safe and simple wiring is possible by just opening the terminal box without the need of opening & closing whole product. (except KE002)

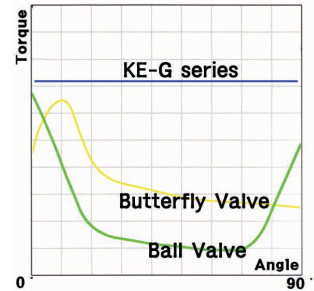


Dome type indicator

Since indicator is exposed to the outside, it is easy to check the status of opening and closing of the valve at a distance.

Captive bolt

Bolts shall not be lost even though the cover is opened for wiring.



▶ PERFORMANCE

▶ KE002/KE004/KE006/KE008 (Single-voltage Type)

MODEL	MAX TORQUE (Nm)	OP. TIME 50Hz/60Hz(sec)	RATED CURRENT(A)			MOTOR CONDITION	MOTOR CLASS/OUTPUT (AC · DC)	No. OF HANDLE TURNS
			AC(1PH) 50/60Hz		DC			
			110V	220V	24V			
KE002-6G	20	17.5/14.5	0.29/0.25	0.12/0.1	1.5	DUTY 40%	E · B/10W · 10W	3
KE002-5G	10	7/6	0.29/0.25	0.12/0.1	1.5	DUTY 40%	E · B/10W · 10W	3
KE004-5G	40	12/10	0.67/0.6	0.23/0.2	2.0	DUTY 40%	E · B/10W · 10W	3
KE004-4G	15	8.5/7	0.67/0.6	0.23/0.2	2.0	DUTY 40%	E · B/10W · 10W	3
KE006-6G	60	18/15	0.67/0.6	0.23/0.2	2.0	DUTY 40%	E · B/10W · 10W	3
KE006-5G	25	8/6.5	0.67/0.6	0.23/0.2	2.0	DUTY 40%	E · B/10W · 10W	3
KE008-6G	80	17/14	0.53/0.50	0.33/0.29	2.5	DUTY 40%	F · B/10W · 10W	20
KE008-5G	40	8/6	0.53/0.50	0.33/0.29	2.5	DUTY 40%	F · B/10W · 10W	20

*Maximum current can be +30% from Rated current.

▶ KE005 (Multi-voltage type)

MODEL	MAX TORQUE (Nm)	OP. TIME 50Hz/60Hz (sec)	RATED CURRENT (A)		MOTOR CONDITION	MOTOR CLASS/OUTPUT (AC · DC)	No. OF HANDLE TURNS
			100V~250V AC	24V DC*			
KE005-8G	50	13	0.1~0.25	2.0	DUTY 40%	B · B/10W · 10W	18
KE005-7G	20	6	0.1~0.25	2.0	DUTY 40%	B · B/10W · 10W	18

*24V DC is Control Board embedded.

*Maximum current can be +30% from Rated current.

▶ STANDARD SPECIFICATION

▶ KE002/KE004/KE006/KE008

#Option

ENCLOSURE	WEATHER PROOF IP67
MAIN POWER	110V, 220V AC 1PH 50Hz/60Hz, 24V DC
MOTOR CONDITION	DUTY 40%
INDICATOR	DOME TYPE MECHANICAL INDICATOR
LIMIT SWITCHES	2EACH FOR OPEN & CLOSE SPDT 240VAC/5A (Except KE002)
MANUAL OPERATION	(KE002~006) BY SPANNER 5mm (KE008) BY WRENCH 5mm (HEX.)
TRAVEL ANGLE	90° ±5°
AMBIENT TEMPERATURE	-20℃ ~ +60℃
EXTERNAL COATING	POWDER COATING
INSIDE HEATER	(KE002~006) N/A (KE008) 1PH 220V/110V AC (Only AC)
ISO5211, CH STEM, WEIGHT	(KE002) F03/F05, CH 11*11 DP15 0.9Kg (KE004) F03/F05/F07, CH 11*11 DP15, 1.5Kg #CH 14*14 DP16 (KE006) F03/F05/F07, CH 14*14 DP16 1.9Kg (KE008) F03/F05/F07, CH 14*14 DP16/ #F05/07, CH 17*17 DP19, 2.6Kg
CABLE ENTRY	(KE002) CABLE WIRE TYPE (PG11 WIRE 1000mm) (KE004/KE006) TERMINAL BOX TYPE (1-PF1/2) (KE008) TERMINAL BOX TYPE (2-PF1/2)

▶ KE005

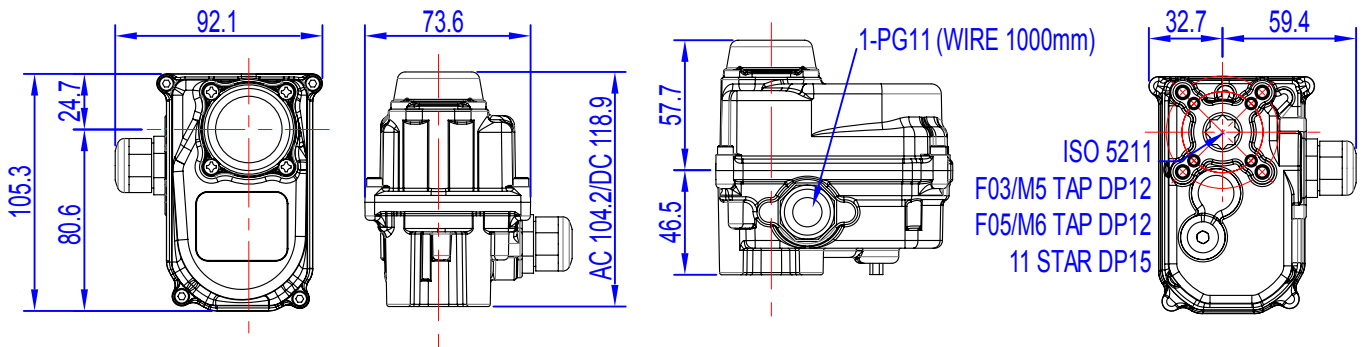
#Option

ENCLOSURE	WEATHER PROOF IP67
MAIN POWER	110V, 220V, AC 1PH, 50Hz/60Hz, 24V DC
MOTOR CONDITION	DUTY 40%
INDICATOR	DOME TYPE MECHANICAL INDICATOR
LIMIT SWITCHES	2EACH FOR OPEN & CLOSE (SPDT 250VAC/5A)
MANUAL OPERATION	BY WRENCH 5mm (HEX.)
TRAVEL ANGLE	90° ±5°
AMBIENT TEMPERATURE	-20℃ ~ +60℃
EXTERNAL COATING	POWDER COATING
INSIDE HEATER	HEATING ELEMENT ON PCB (Only AC)
ISO5211, CH STEM, WEIGHT	F03, F05, F07, CH 14*14 DP17, 1.3Kg #CH 11*11 DP15
CABLE ENTRY	TERMINAL BOX TYPE (1-PF1/2", #2-PF1/2")

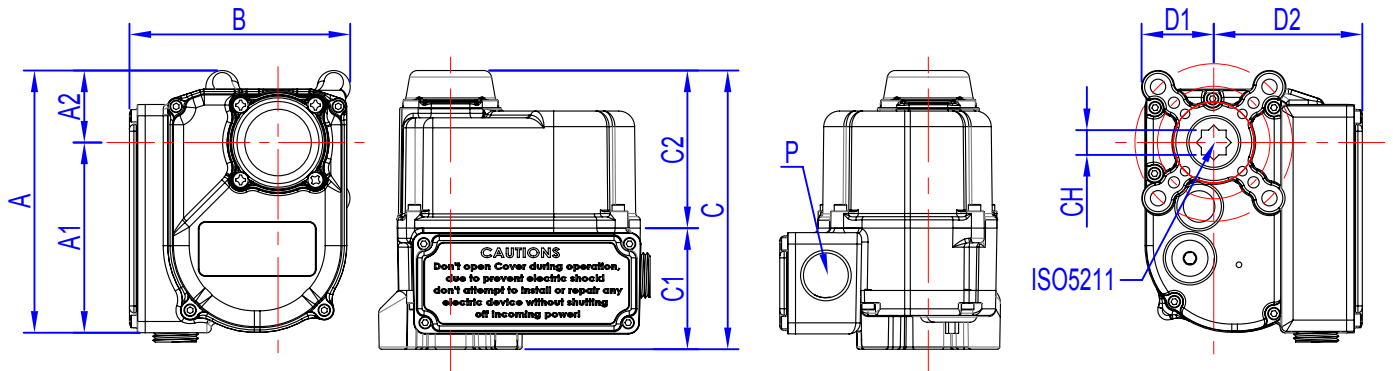
-There is a extra charge for 2-PF1/2".

► DIMENSION

KE002



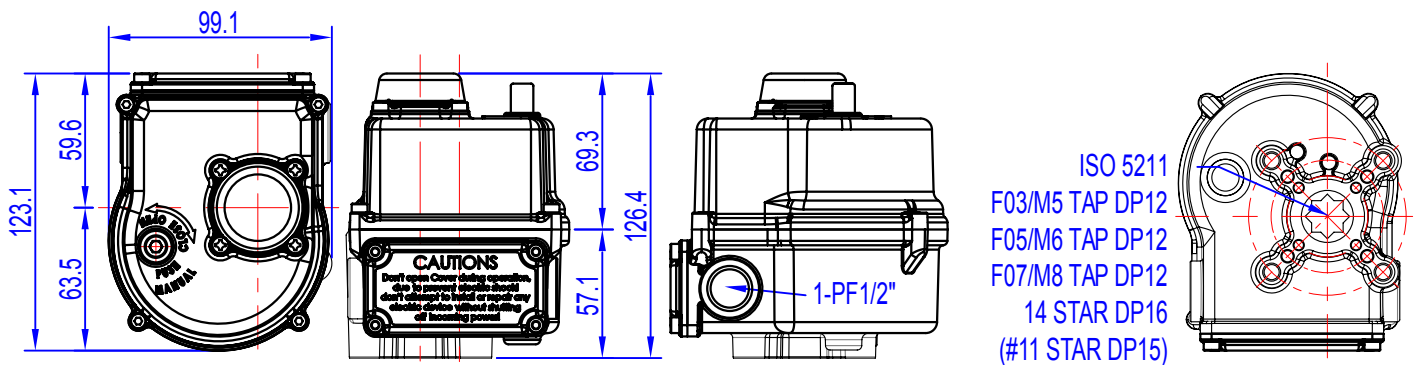
KE004/KE006/KE008



MODEL	A	A1	A2	B	C	C1	C2	ISO5211	P.C.D	N-M	CH	DTH	P
KE004	116.5	32	84.5	98.1	123.8	53.8	70	F03/F05/F07	36/50/70	4-M5/M6/M8	11*11 #14*14	15 16	1-PF1/2"
KE006	122	34.2	97.9	111.3	59	75.5	134.5	F03/F05/F07	36/50/70	4-M5/M6/M8	14*14	16 16	1-PF1/2"
KE008	125.3	33.7	91.6	122.3	81.5	74	155.5	¹⁾ F03/F05/F07 ¹⁾ #F05/07	36/50/70 50/70	4-M5/M6/M8 4-M6/M8	14*14	16 19	2-PF1/2"

1) You can choose only F03/F05/F07 with 14*14 or F05/f07 with 17*17.

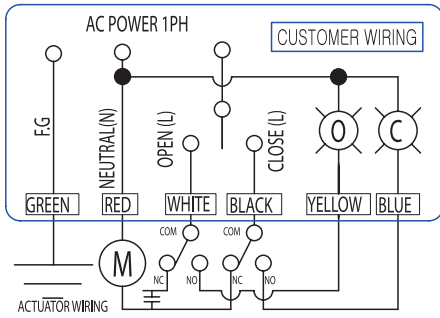
KE005



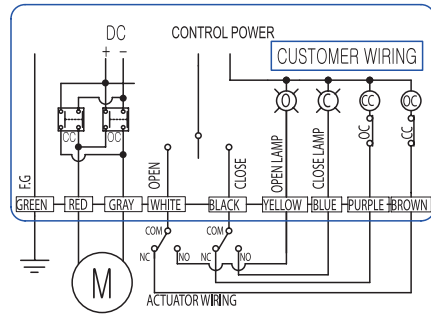
▶ Wiring

KE002

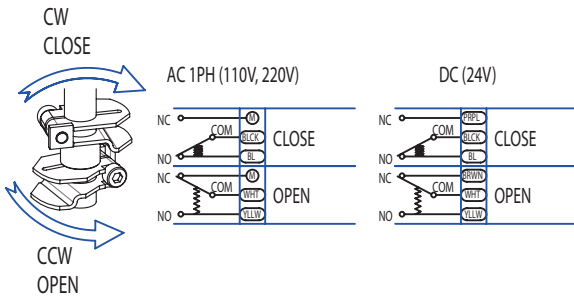
▶ AC 1PH



▶ DC 24V



▶ SWITCH WIRING (POSITION : FULL CLOSE)

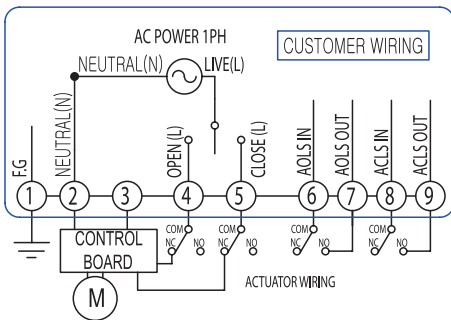


▶ LIMIT SWITCH OPERATION

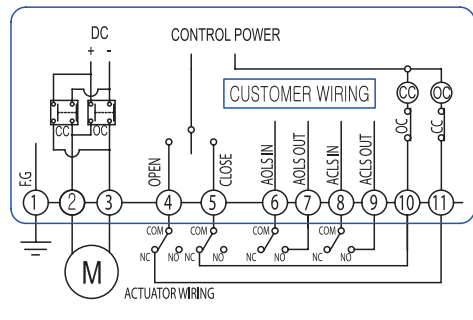
SWITCH	CLOSE	← INTERMEDIATE	→ OPEN
CLS COM-NC		█	
CLS COM-NO	█		
OLS COM-NC		█	
OLS COM-NO	█		

KE004/KE006

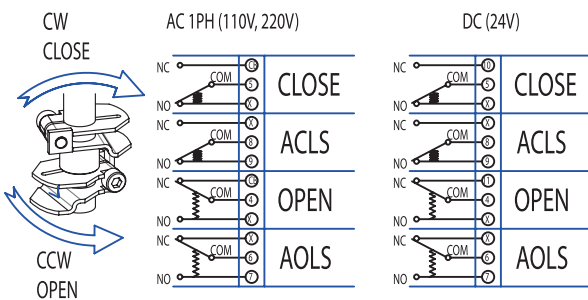
▶ AC 1PH



▶ DC 24V



▶ SWITCH WIRING (POSITION : FULL CLOSE)

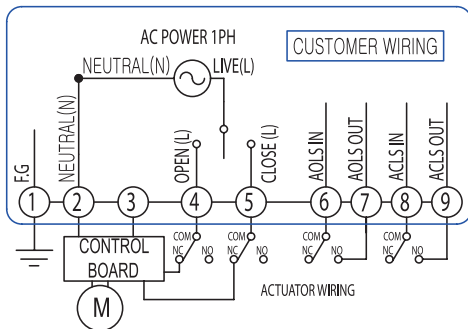


▶ LIMIT SWITCH OPERATION

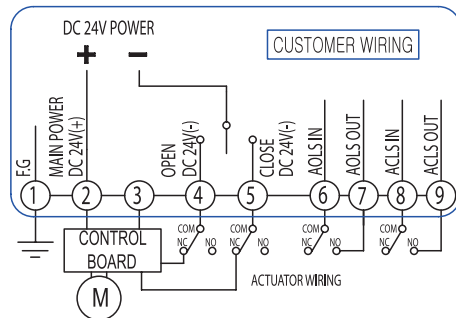
SWITCH	CLOSE	← INTERMEDIATE	→ OPEN
CLS COM-NC		█	
CLS COM-NO	█		
ACLS COM-NC		█	
ACLS COM-NO	█		
OLS COM-NC		█	
OLS COM-NO	█		
AOLS COM-NC		█	
AOLS COM-NO	█		

KE005

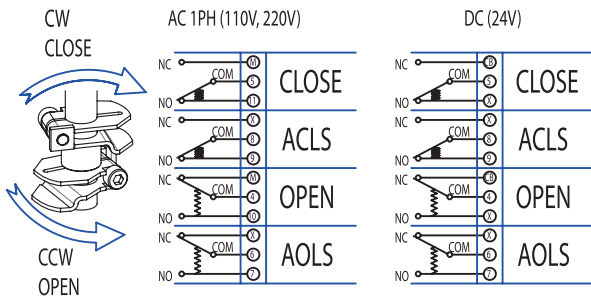
▶ **AC 1PH**



▶ **DC 24V**



▶ **SWITCH WIRING (POSITION : FULL CLOSE)**

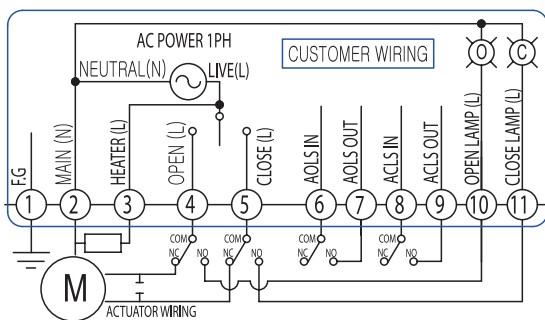


▶ **LIMIT SWITCH OPERATION**

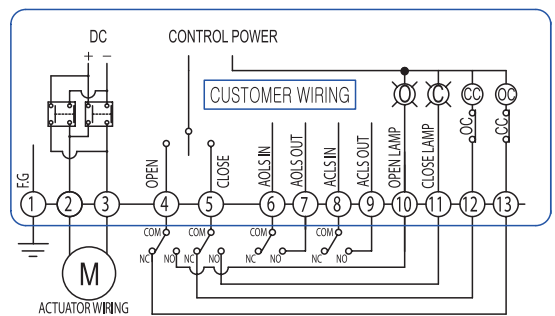
SWITCH	CLOSE	← INTERMEDIATE	→ OPEN
CLS COM-NC		█	
CLS COM-NO	█		
ACLS COM-NC		█	
ACLS COM-NO	█		
OLS COM-NC	█		
OLS COM-NO			█
AOLS COM-NC	█		
AOLS COM-NO			█

KE008

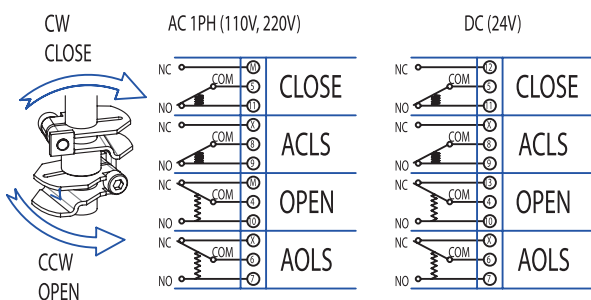
▶ **AC 1PH**



▶ **DC 24V**



▶ **SWITCH WIRING (POSITION : FULL CLOSE)**



▶ **LIMIT SWITCH OPERATION**

SWITCH	CLOSE	← INTERMEDIATE	→ OPEN
CLS COM-NC		█	
CLS COM-NO	█		
ACLS COM-NC		█	
ACLS COM-NO	█		
OLS COM-NC	█		
OLS COM-NO			█
AOLS COM-NC	█		
AOLS COM-NO			█

KE-P series

KE010-KE050

Plastic intermediate cap
There will be no rubbing off even when used for a long period or exposure to sunlight by the use of plastic cap, a non-printing method.

Dome type indicator
Since indicator is exposed to the outside, it is easy to check the status of opening and closing of the valve at a distance.

Captive bolt
Bolts shall not be lost even though the cover is opened for wiring.

Self locking
Designed to prevent overheating that occurs due to repeated forward & reverse rotation by a wrong signal.

Terminal Box
Safe and simple wiring is possible by just opening the terminal box without the need of opening & closing whole product.

Low power consumption design
Lesser power consumption by the use of an exclusive special motor.

STANDARD SPECIFICATION

ENCLOSURE	WEATHER PROOF IP67	AMBIENT TEMPERATURE	-20℃~+60℃
MAIN POWER	110V, 220V, AC 1PH, 50Hz/60Hz, 24V DC	EXTERNAL COATING	POWDER COATING
MOTOR CONDITION	DUTY 40%	INSIDE HEATER	1PH 220V/110 2W (Only AC)
INDICATOR	DOMO TYPE MECHANICAL INDICATOR	ISO5211, CH STEM, WEIGHT	(KE010) F05/F07, CH 14*14 DP16 3.0Kg #CH 17*17 DP19
LIMIT SWITCHES	2EACH FOR OPEN & CLOSE (SPDT 250VAC/16A)		(KE016) F05/F07, #F05/F07/F10, CH 17*17 DP 19 6.2Kg (KE028/KE040/KE050) F07/F10, CH 22*22 DP 24 #F07/F10/F12, CH 27*27 DP 29 8.9Kg/9.4Kg/9.4Kg
MANUAL OPERATION	KE010~KE016 ; BY WRENCH 6mm(HEX.) KE028~KE050 ; BY WRENCH 8mm(HEX.)	CABLE ENTRIES	TERMINAL BOX TYPE (2-PF1/2")
TRAVEL ANGLE	90°±5°	INSIDE HEATER	1PH 220V/110 2W (Only AC)

PERFORMANCE

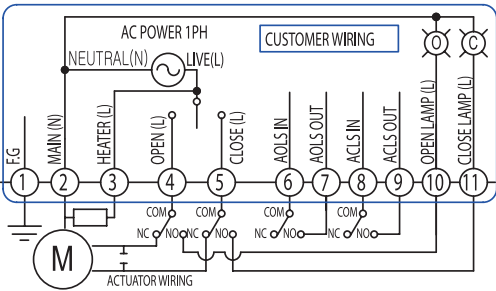
MODEL	MAX TORQUE (Nm)			OP.TIME 50/60Hz (sec)	RATED CURRENT (A)				MOTOR CONDITION	MOTOR CLASS/ OUTPUT (AC-DC)	No. OF HANDLE TURNS	
	0°	45°	90°		AC(1PHASE) 50/60Hz		AC(3PHASE) 50/60Hz					DC 24V
					110V	220V	380V	440V				
KE010-3P	100	65	100	22/18	0.82/0.75	0.42/0.40	N/A	N/A	2.5	DUTY 40%	F-B/20W-15W	15
KE010-4P	80	50	80	18/14	0.82/0.75	0.42/0.40	N/A	N/A	2.5	DUTY 40%	F-B/20W-15W	11
KE010-5P	60	40	60	14/11	0.82/0.75	0.42/0.40	N/A	N/A	2.5	DUTY 40%	F-B/20W-15W	9
KE016-3P	160	107	160	28/23	0.94/0.85	0.50/0.46	0.47/0.37	0.62/0.49	4.0	DUTY 40%	F-B/15W-15W	19
KE016-4P	130	85	130	22/18	0.94/0.85	0.50/0.46	0.47/0.37	0.62/0.49	4.0	DUTY 40%	F-B/15W-15W	16
KE016-5P	100	65	100	18/14	0.94/0.85	0.50/0.46	0.47/0.37	0.62/0.49	4.0	DUTY 40%	F-B/15W-15W	13
KE028-3P	280	190	280	40/33	0.94/0.85	0.50/0.46	0.47/0.37	0.62/0.49	4.0	DUTY 40%	F-B/15W-15W	23
KE028-4P	240	160	240	30/25	0.94/0.85	0.50/0.46	0.47/0.37	0.62/0.49	4.0	DUTY 40%	F-B/15W-15W	19
KE028-5P	190	125	190	24/20	0.94/0.85	0.50/0.46	0.47/0.37	0.62/0.49	4.0	DUTY 40%	F-B/15W-15W	15
KE040-3P	400	270	400	40/33	1.09/1.23	0.54/0.58	0.16/0.15	0.18/0.16	5.5	DUTY 40%	F-B/25W-40W	23
KE040-4P	350	240	350	30/25	1.09/1.23	0.54/0.58	0.16/0.15	0.18/0.16	5.5	DUTY 40%	F-B/25W-40W	19
KE040-5P	300	220	300	24/20	1.09/1.23	0.54/0.58	0.16/0.15	0.18/0.16	5.5	DUTY 40%	F-B/25W-40W	15
KE050-3P	500	350	500	40/33	1.55/1.75	0.72/0.90	0.30/0.28	0.40/0.30	N/A	DUTY 40%	F/40W	23
KE050-4P	450	310	450	30/25	1.55/1.75	0.72/0.90	0.30/0.28	0.40/0.30	N/A	DUTY 40%	F/40W	19
KE050-5P	400	280	400	24/20	1.55/1.75	0.72/0.90	0.30/0.28	0.40/0.30	N/A	DUTY 40%	F/40W	15

*Maximum current can be +30% from Rated current.

▶ Wiring

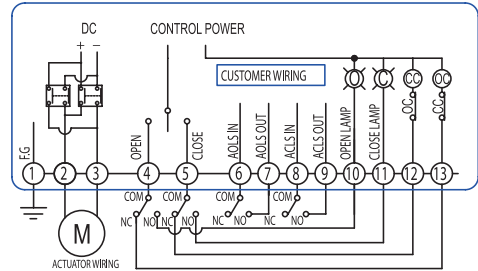
KE010-KE050

▶ AC 1PH



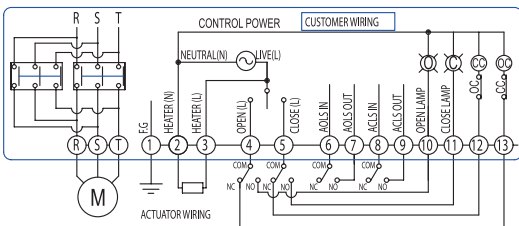
KE010-KE040

▶ 24V DC



KE016-KE050

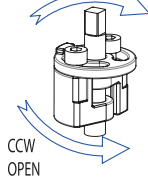
▶ AC 3PH



▶ SWITCH WIRING (POSITION : FULL CLOSE)

CW

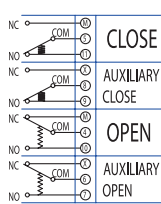
CLOSE



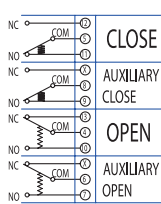
CCW

OPEN

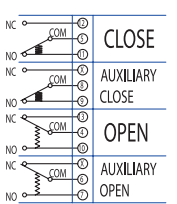
AC 1PH (110V, 220V)



AC 3PH (380V, 440V)



DC (24V)

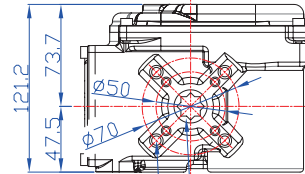
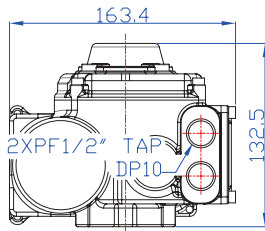
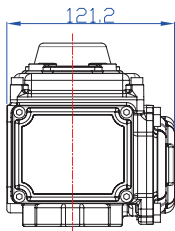


▶ LIMIT SWITCH OPERATION

SWITCH	CLOSE	← INTERMEDIATE	→ OPEN
CLS COM-NC	█		
CLS COM-NO			█
ACLS COM-NC		█	
ACLS COM-NO	█		
OLS COM-NC			█
OLS COM-NO	█		
AOLS COM-NC		█	
AOLS COM-NO	█		

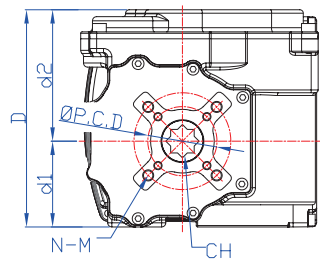
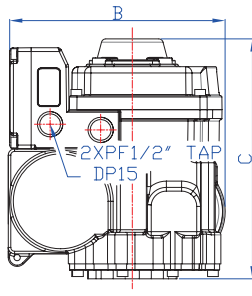
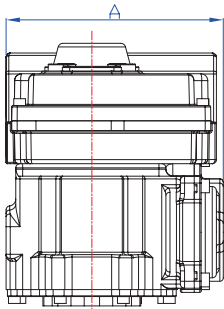
▶ DIMENSION

KE010



ISO 5211
F05/M6 TAP DP12
F07/M8 TAP DP12

KE016 / KE028 / KE040 / KE050



MODEL	A	B	C	D	d1	d2	ISO	P.C.D	N-M	CH	DTH
KE016	157.0	170.5	189.8	157	62	95	F05/F07/#F10	50/70/#102	4-M6/M8/M10	17x17	19
KE028	181.9	208.9	209.0	181.9	73.7	108.2	¹⁾ F07/F10	70/102	4-M8/M10	22x22	24
KE040							¹⁾ #F07/F10/F12	#70/102/125	4-M8/M10/M12	#27x27	29
KE050											

1) You can choose only F07/F10 with 22*22 or F07/F10/F12 with 27*27.